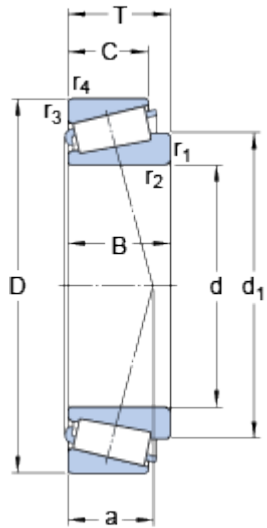


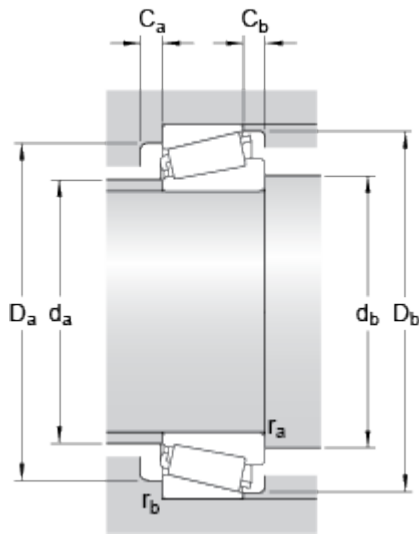
T7FC 070/QCL7C

Dimensions



d		70	mm
D		140	mm
T		39	mm
d ₁	≈	110.15	mm
B		35.5	mm
C		27	mm
r _{1,2}	min.	3	mm
r _{3,4}	min.	3	mm
a		47	mm

Abutment dimensions



d _a	max.	82	mm
d _b	min.	82	mm
D _a	min.	106	mm
D _a	max.	126	mm
D _b	min.	133	mm
C _a	min.	5	mm
C _b	min.	12	mm
r _a	max.	2.5	mm
r _b	max.	2.5	mm

Calculation data

Basic dynamic load rating	C	176	kN
Basic static load rating	C ₀	240	kN
Fatigue load limit	P _u	27.5	kN
Reference speed		3200	r/min
Limiting speed		4500	r/min
Calculation factor	e	0.88	
Calculation factor	Y	0.68	

Calculation factor

Y_0

0.4

Mass

Mass bearing

2.652

kg